

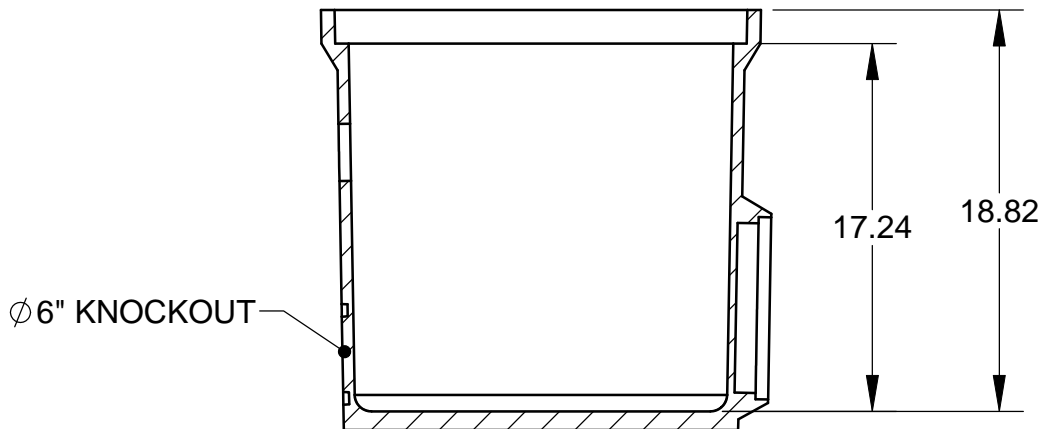
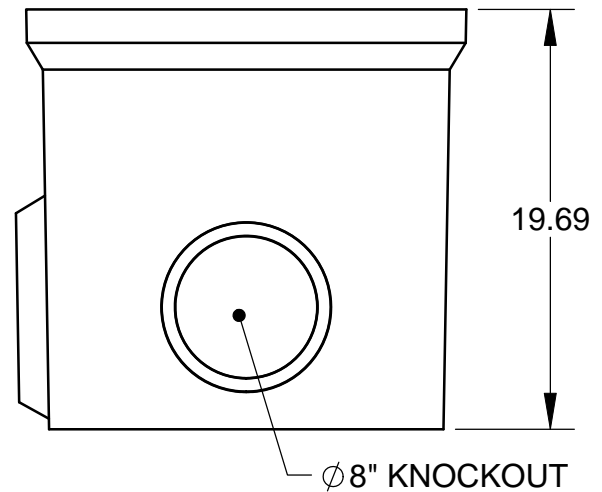
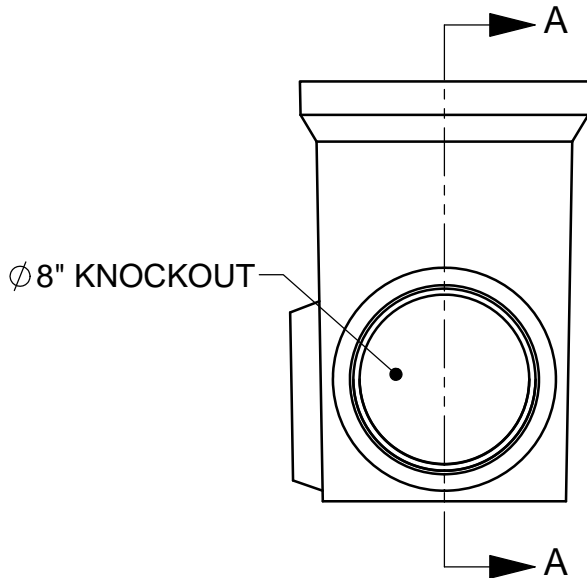
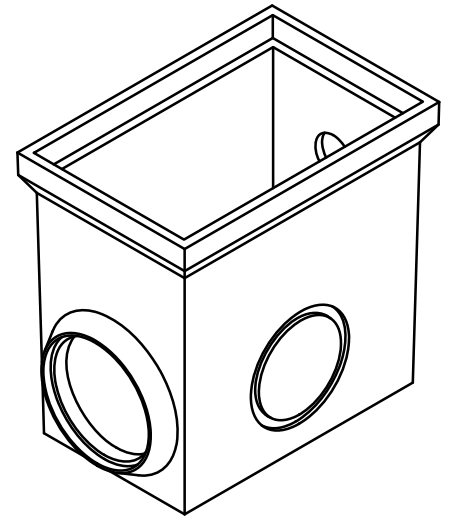
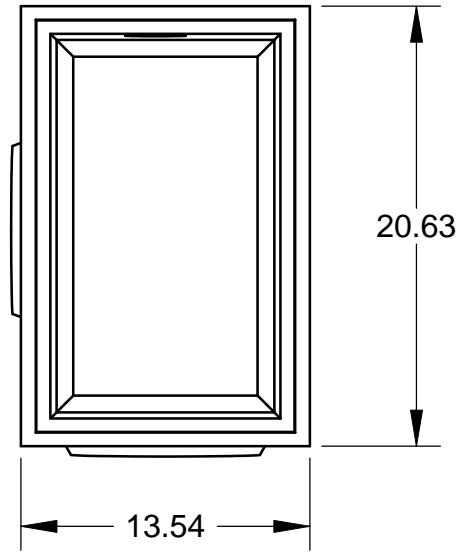
SPECIFICATION:

MEADRAIN SK-UT-LONG SERIES POLYMER CONCRETE LOWER GULLY LONG SECTION WITH PREFORMED KNOCKOUTS FOR $\phi 6"$ AND $\phi 8"$ CONNECTORS.

Supplied By:
TRENCHDRAIN SUPPLY 877-903-7246
www.trenchdrainsupply.com

**SK-UT-LONG
MEA DRAIN**

SERIES **154719**



**SECTION A-A
SCALE 1 : 9**

DATE OF LAST CHANGE: 1/21/2011

DIMENSIONS ARE SUBJECT TO MANUFACTURERS TOLERANCES AND CHANGE WITHOUT NOTICE. WE CAN ASSUME NO RESPONSIBILITY FOR USE OF SUPERSEDED OR VOID DATA.

JOSAM COMPANY
MICHIGAN CITY, INDIANA

NOTES